

Hand Pump

Single Acting HP-3S / HP-5S / HP-8S / HP-13S / HP-23S

Double Acting HP-5D / HP-8D / HP-13D / HP-23D



Model : HP-5S



Model : HP-8S



Model : HP-13S



Model : HP-3S



Model : HP-8D



Model : HP-23S

Lightweight type using aluminum

- The material is aluminum, so it is lightweight and also excellent in portability.
- It can be used even in the absence of electricity, the work efficiency will be improved.

Single Acting

HP-5S / HP-8S / HP-13S / HP-23S



HP-23S
(It is with a pressure gauge)

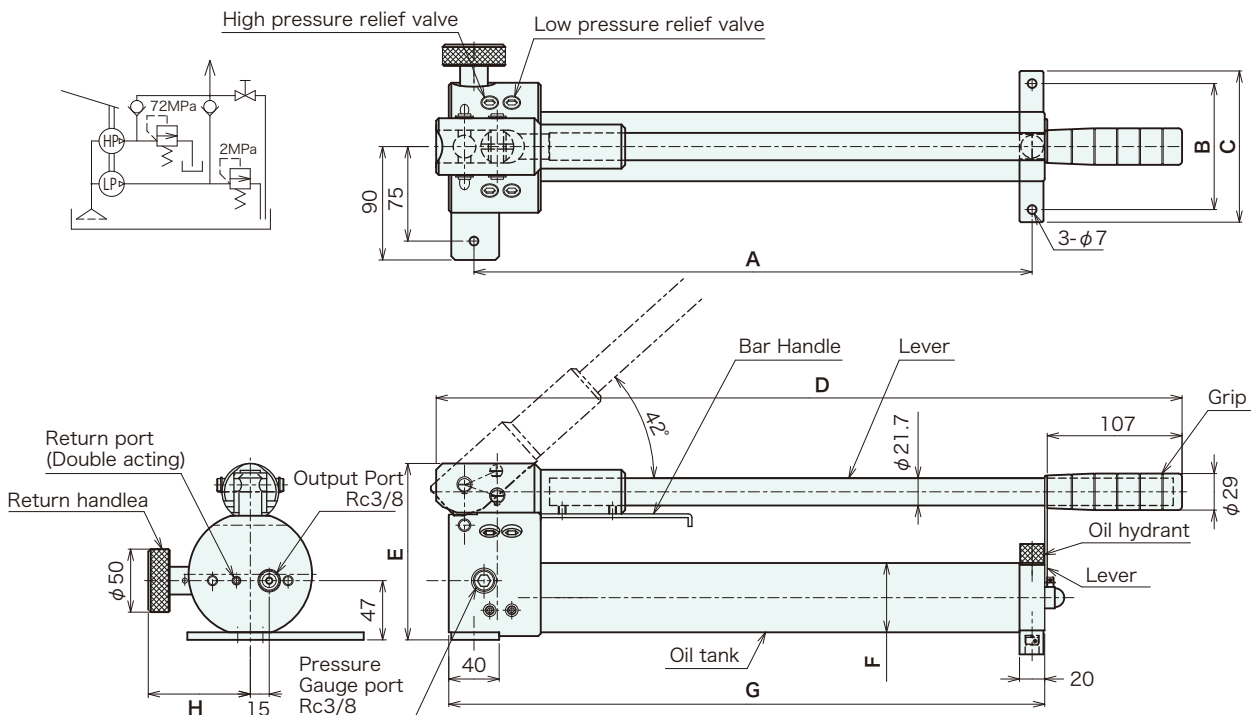
HP-13S

- Lightweight body made of aluminum.
- Two-speed operation for reducing operator fatigue.
- The optional pressure gauge switch is very easy to see.
- It is ideal for use in clean rooms because it is not painted.
- The maximum pressure is 72 MPa.
- We offer the modest price for our pumps and machine.



Model	Max.pressure (MPa)		Discharge/stroke (cm ³)		Discharge diameter	Tank (cc)	Usable(cc)	Weight (kg)
	High	Low	High	Low				
HP-5S	72	2	2.3	11	NPT 3/8 (Rc 3/8)	700	500	5.1
HP-8S	72	2	2.3	11	NPT 3/8 (Rc 3/8)	950	800	5.5
HP-13S	72	2	2.3	16.5	NPT 3/8 (Rc 3/8)	1600	1300	9.5
HP-23S	72	2	2.3	16.5	NPT 3/8 (Rc 3/8)	2700	2300	10.5

<Dimensions> (mm)



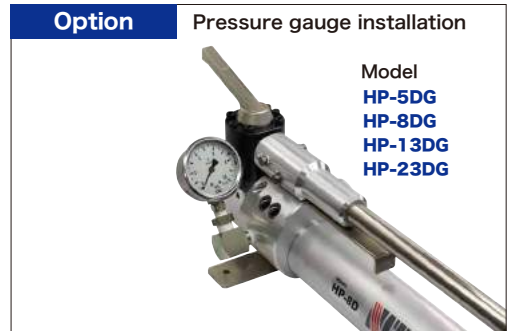
Model	A	B	C	D	E	F	G	H
HP-5S	443	100	120	592	140	55	473	81
HP-8S	443	100	120	592	140	65	473	81
HP-13S	550	130	150	699	170	80	580	91
HP-23S	550	130	150	699	185	100	580	98.5

Double Acting

HP-5D / HP-8D / HP-13D / HP-23D

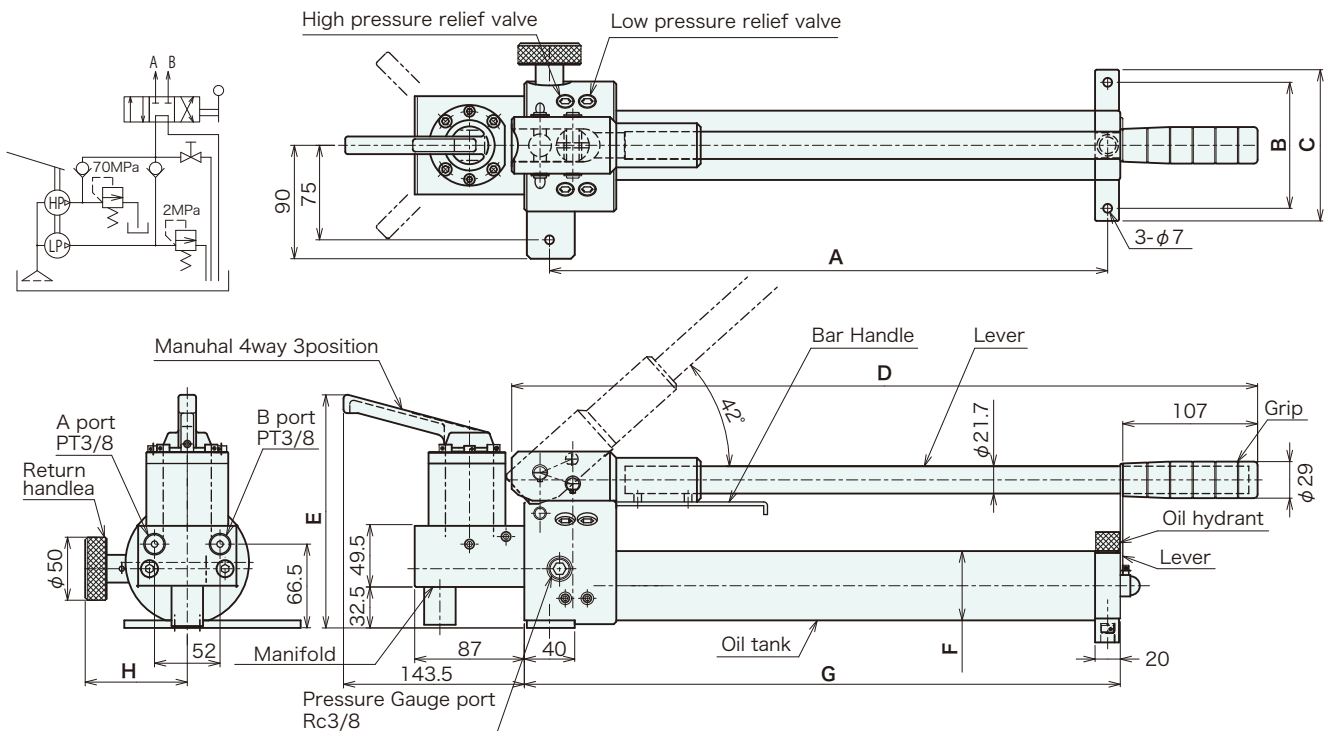


- Lightweight body made of aluminum.
- Two-speed operation for reducing operator fatigue.
- The optional pressure gauge switch is very easy to see.
- It is ideal for use in clean rooms because it is not painted.
- The maximum pressure is 72 MPa.
- We offer the modest price for our pumps and machine.



Model	Max.pressure (MPa)		Discharge/stroke (cm ³)		Discharge diameter	Tank (cc)	Usable(cc)	Weight (kg)
	High	Low	High	Low				
HP-5D	72	2	2.3	11	NPT 3/8 (Rc 3/8)	700	500	7.6
HP-8D	72	2	2.3	11	NPT 3/8 (Rc 3/8)	950	800	8.0
HP-13D	72	2	2.3	16.5	NPT 3/8 (Rc 3/8)	1600	1300	12.0
HP-23D	72	2	2.3	16.5	NPT 3/8 (Rc 3/8)	2700	2300	13.0

<Dimensions> (mm)



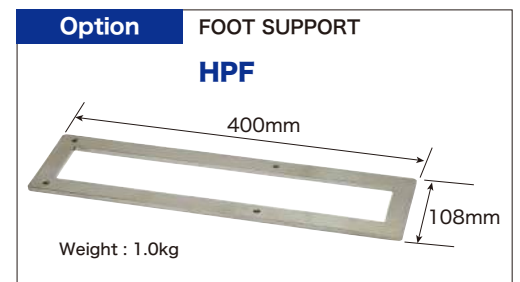
Model	A	B	C	D	E	F	G	H
HP-5D	443	100	120	592	185	55	473	81
HP-8D	443	100	120	592	185	65	473	81
HP-13D	550	130	150	699	170	80	580	91
HP-23D	550	130	150	699	185	100	580	98.5

HP-3S Smaller & Portable type



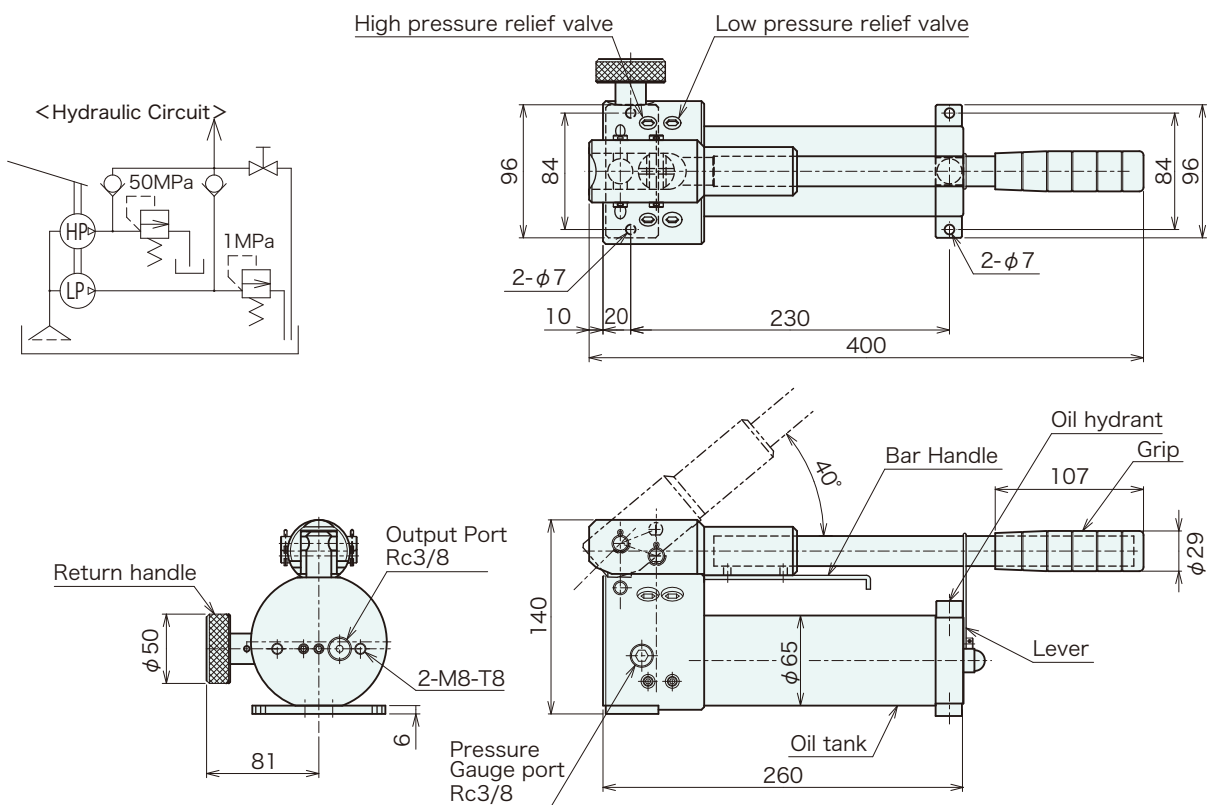
FOOT SUPPORT TYPE
HP-3SF

- Lightweight body made of aluminum.
- Two-speed operation for reducing operator fatigue.
- The optional pressure gauge switch is very easy to see.
- It is ideal for use in clean rooms because it is not painted.
- The maximum pressure is 50 MPa.
- Optional foot support enables stable work even under high pressure.



Model	Max.pressure (MPa)		Discharge/stroke (cm ³)		Discharge diameter	Tank(cc)	Usable(cc)	Weight (kg)
	High	Low	High	Low				
HP-3S	50	1	2.3	11	NPT 3/8 (Rc 3/8)	400	250	3.5

<Dimensions> (mm)



Nittoh Zohki Co.,Ltd.

Sales office :

2-4-10 Kamezawa, Sumida-ku, Tokyo 130-0014 Japan
Tel. +81-3-3625-6551 Fax.+81-3-3625-6553

Factory :

585 Takashi, Mobara-shi, Chiba-Ken 297-0029 Japan
<http://www.nittohpower.jp>